



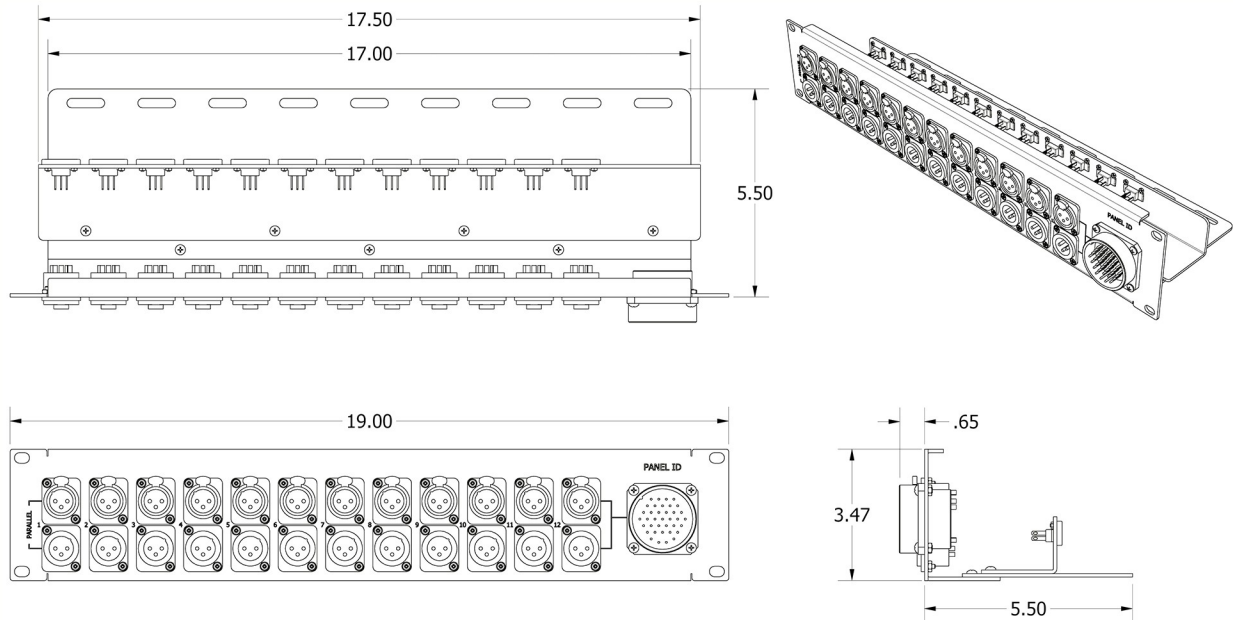
Shown: SA-DT12MR-PST

FEATURES

- 2 RU Aluminum or Stainless-Steel Flanged Lacing Panel
- Dependable Phoenix Contact Plug in Connectors
- Simple and Quick Field Installation and Swap Out
- Laser Marking and optional Designation Strips
- Quality Prewired and Soldered Assembly
- Durable Black Powder Coat Finish
- Quality Neutrik XLR D Series Connectors
- DT-12 Male or Female Multi Pin Connector
- 45° Multipin Strain Relief Optional
- Made in the USA

DESCRIPTION

The RCI Custom Products SA-DT12XX-PST is a specialized and robust solution designed for efficient and reliable broadcast audio distribution in Stadium and Arena settings. The SA-DT12XX-PST addresses the most common failure points and prioritizes ease and speed of installation by minimizing the risks associated with on-site assembly. Each unit comes pre-wired with solder points between the Multipin DT12 connector and parallel XLR connectors, terminating with Phoenix Contact Headers, mounted securely to the exclusive RCI Custom flanged bulkhead at the rear. Incoming wiring can be securely fastened to the RCI Strain Relief Lacing panel after the included, mating Phoenix screw terminal contact plugs have been attached. Comes standard with an attractive black powder coat finish, and choice of custom engraving or designation strips for connector identification. Optional 45° "doghouse" mount for Multipin connector available for strain relief. In summary, the SA-DT12XX-PST is a versatile solution that addresses the specific challenges of broadcast audio distribution in Stadium and Arena environments, offering both reliability and efficiency in installation and operation.



Shown: SA-DT12MR-PST

SA-DT12[G][J][45][DS]-PST[-SS][-TOP]

Key Codes	Values
[G] – DT12 Gender	F – Female, M – Male, B – Blank (Tie Lines only)
[J] – DT12 Justification	L – Left, R – Right
[45] – DT12 Strain Relief	Default is None
[DS] – Designation Strip	Default is Laser Mark
[-SS] – Stainless Steel	Default is Aluminum
[-TOP] – Neutrik TOP XLRs	Default is standard Neutrik NC3 XLR

A & E SPECIFICATIONS

The Broadcast Signal Distribution device shall be the RCI Custom Products Model SA-DT12XX-PST. Unit shall be 2RU (3.5”) tall and conform to standard EIA 19” rack mounting. Assembly shall be made of .093 aluminum with black powder coat finish and shall be complete with rear flange for Phoenix Contact Plug connectors, and Strain Relief extension. Unit shall include 12 male and 12 female Neutrik XLR connectors, wired with solder joints in parallel to each other, and connected by solder joints to the Multipin DT-12 Connector (Male or Female) with (or without) 45° strain relief option. These connections shall be brought to the rear Phoenix Contact headers for screw terminal plugs. Mating connector plugs shall be supplied with the device. Connector designation shall be (Designation strip or Engraving).