

FL-1000 SeriesFloor Boxes for Tile or Wood
Floors over Concrete

FL1000308-1



FL-2.5, FL-3, FL-4, FL-5, FL-8



FL-1000-BLK-C



FL-1000-OAK-C



FL-1000-BRS-C

FEATURES

- 11 gauge steel temporary construction cover included
- Choose floor box (correct depth) and cover type for complete assembly
- Add convenient RCI wall plates for total package
- Flip back door for cable exit
- Allows for multiple box installations
- Lift-off full access door
- Leveling feet
- Installs well in tile or wood floors over concrete

The FL-1000 Floor Box is designed for conference rooms, auditoriums, courtrooms, churches and all general meeting spaces with concrete floors covered with wood or tile. The assembly handles power, audio, video, and data in one practical box.

The lift-off section of the cover allows full access to internal connector plates and stored cables, and the smaller hinged access door flips back to allow cable exit. When not in use, the cover is completely closed allowing unencumbered travel in the area.



www.rcicustom.com

FL-1000 Series

Floor Boxes for Tile or Wood Floors over Concrete

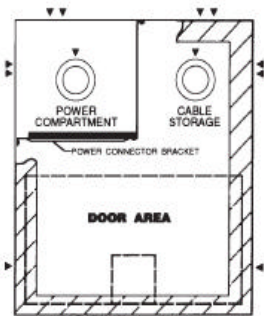
FL1000308-1

Floor Box Covers and Back Box Ordering Information

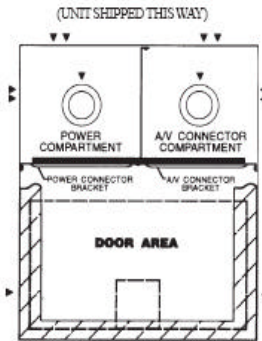
Part Number	Description
Flat Covers – Not Scrub Water Rated (Non UL)	
FL-1000-BLK-C	Cover (no flange) with hinged door in black sandtex
FL-1000-OAK-C	Cover (no flange) with hinged door in light oak sandtex
FL-1000-BRS-C	Cover (no flange) with hinged door in solid brass (antique bronze)
Back Boxes – Includes Steel Construction Cover	
FL-2.5	FL-1000 floor box – 2.5" deep (UL)
FL-3	FL-1000 floor box – 3" deep (UL)
FL-4	FL-1000 floor box – 4" deep (UL)
FL-5	FL-1000 floor box – 5" deep (UL)
FL-8	FL-1000 floor box – 8" deep (UL)

FL1000 INTERNAL BRACKET ARRANGEMENTS

WITH CABLE STORAGE



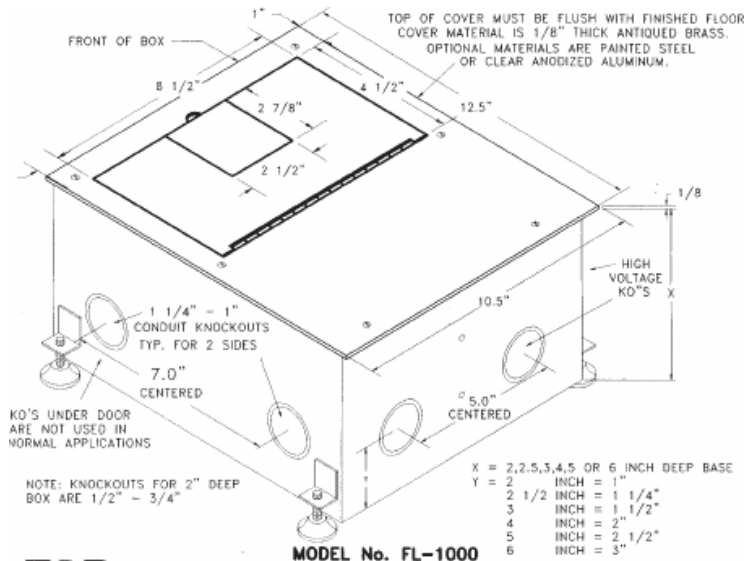
WITH CONNECTOR PLATE



▶ INDICATES KNOCKOUT LOCATIONS (▶▶) PREFERRED KNOCKOUT LOCATIONS

DEPTH	Duplex punch out	Open for cable mount connectors	Duplex punch out	Blank, flat connector plate
2-1/2"				USEABLE AREA 2.5 X 4 X 1.75"
3" & 4"				USEABLE AREA 3 X 4 X 2.25", 4 X 4 X 2.25"
5" & 6"				USEABLE AREA 3 X 4 X 2.25", 4 X 4 X 2.25"

NOTE: EACH FLOOR BOX IS SUPPLIED WITH BOTH INTERNAL BRACKETS



NOTE: KNOCKOUTS FOR 2" DEEP BOX ARE 1/2" - 3/4"

X = 2, 2.5, 3, 4, 5 OR 6 INCH DEEP BASE
 Y = 2 INCH = 1"
 2 1/2 INCH = 1 1/4"
 3 INCH = 1 1/2"
 4 INCH = 2"
 5 INCH = 2 1/2"
 6 INCH = 3"

MODEL No. FL-1000